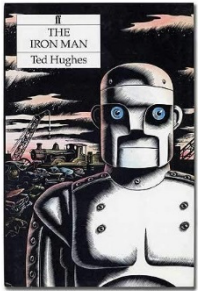


KS2: Years 3 and 4

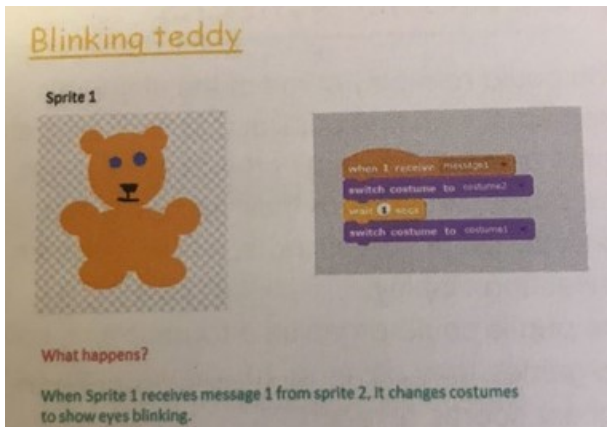
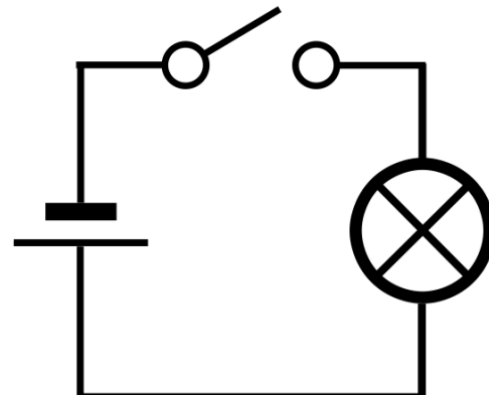
What makes electrical items work?



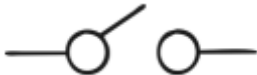
Literacy


A clanking iron giant topples from a cliff and lies smashed on the rocks below. Then, his various parts begin to stir and reach out for one another. The Iron Man is ready to walk again - and he is very hungry!

Design & Technology

S.T.E.M	An acronym which stands for Science, Technology, Engineering & Maths
Mains electricity	Appliances that plug into a socket use mains electricity, such as televisions.
Battery electricity	Appliances that work without having to be plugged into a socket use batteries to power them, such as a mobile phone.
Circuit	A route through which electricity flows.
Conductor	A conductor is a material that allows electricity to pass through it, such as copper.
Insulator	An insulator is a material that does not conduct electricity, such as plastic.

ICT - Computer-controlled toy

Science - Electricity


	Lamp
	Cell / battery
	Switch